



STANDARD

Test & Measuring Instruments

ELECTRICAL NETWORK ANALYZER



FEATURES

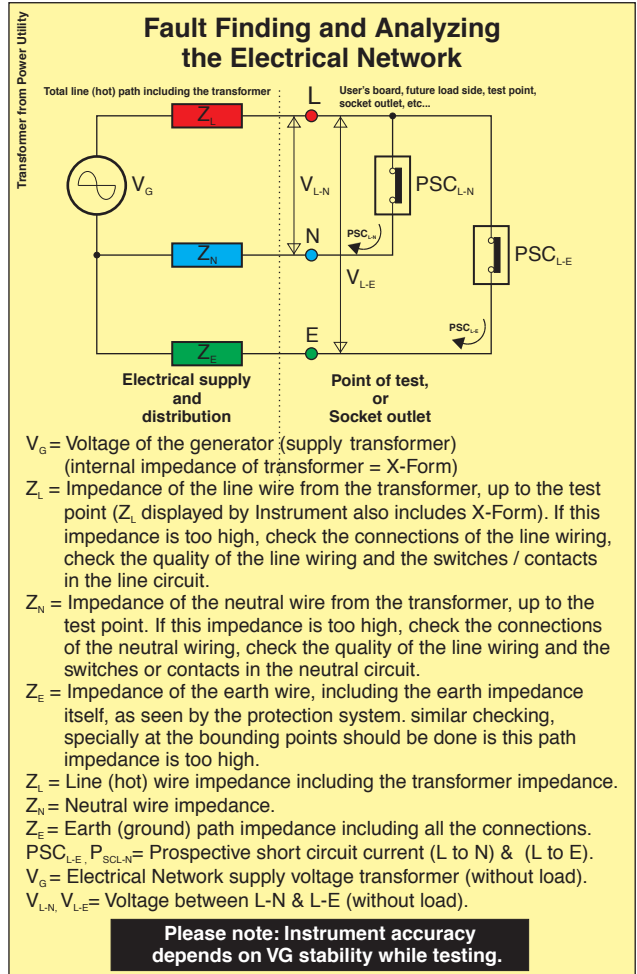
2726NA

- Built-in earth tester.
- Built-in loop / psc tester.
0.03-2000Ω (software ctrl).
- Built-in voltmeter.
- Built-in wiring checker.
- One push button smart control.
- Display L-N and L-E voltages.
50 to 280Vac (sine).
- Display line path impedance.
0.01-2000Ω (software ctrl).
- Display earth path impedance.
0.01-2000Ω (software ctrl).
- Display neutral path impedance.
0.01-2000Ω (software ctrl).
- Display psc line to neutral.
6kA@230Vac supply.
- Display psc line to earth.
6kA@230Vac supply.
- Re-scroll trough previous results.
- Bat. ok / low battery indicator.
- Auto-off function.
- Color coded test leads.
- Rugged Case.
- Ultra low power consumption.
- IEC/EN 61010-1 CAT III 270V

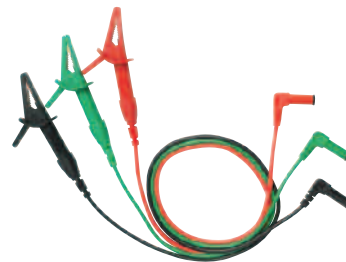
SPECIFICATIONS

Loop / Earth / Wires	0.03-2000Ω (auto-ranging)
Prospective Short Circuit	0~6kA at 230Vac
Operating Voltage	50V ~ 275Vac (50Hz)
Best Performance at Rated Voltage	230Vac ±20% Max. 10A
Accuracy of Voltage	±1%(210~250V) ±3% otherwise
Accuracy of Loops / Earth	±2%(0.05~50W)
Accuracy of Wires Impedances	±15%(above 500W)
Operating-Temperature	0°C~40°C
-Humidity	85% Maximum
Dimensions	205(L) x 90 (W) x 55(D)mm
Weight	Approx. 570g (battery included)
Power Source	1.5V SUM-3 (R6P)x6 or equivalent
Accessories	Test leads (AL-34) Heavy-duty case Instruction manual Batteries

The 2726NA is the first portable real electrical network analyzer. It has a built-in earth tester which does not require the use of poles or long wires. This instrument is useful for fault-finding or commissioning of electrical installations. Differentiating between the line (hot), neutral and earth (ground) path by reading their values has never been easier. Bad contacts, old wiring or bad earth path are quickly identified. Faulty electrical network can be resolved in a fraction of the time normally required using conventional equipment. Down time due to a faulty electrical network is minimal as the fault can be identified and diagnosed quickly. Find which wire needs to be attended to and why (find those old wires with high impedance before a fire starts and replaces them). The complete electrical network can be analyzed by scrolling through the results. Of course, it has a built-in loop impedance and prospective short circuit tester as well as a voltmeter.



Test leads



Authorized Distributor of SEW in China

Shanghai beihan Electronics Co.,Ltd

TEL: 86-21-63340274 63340254 FAX: 86-21-63340789

http://www.beha.com.cn

e-mail: info@beha.com.cn